

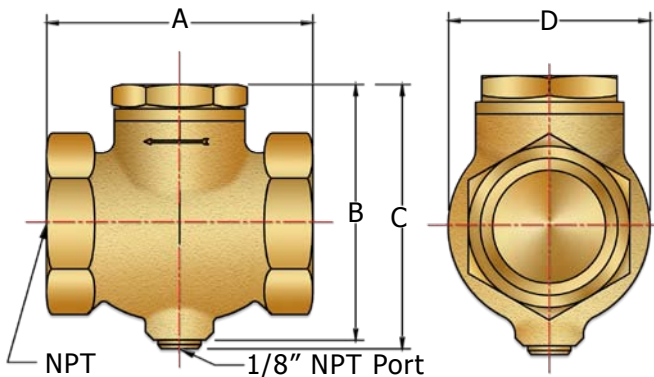


## BPC SERIES CHECK VALVE



### Features:

- Bronze Piston Check Valve
- 3 psi Cracking Pressure
- 15% Glass Filled Teflon Poppet
- 250 psi Max Working Pressure
- 450°F Max Temperature



### Dimensions

PART #	NPT	A	B	C	D	SCFM@ 100psig	Cv
BPC-1	1/8"	1.76	0.94	1.78	1.04	12	1.41
BPC-2	1/4"	1.78	1.69	1.78	1.04	12	1.41
BPC-3	3/8"	1.85	1.72	1.81	1.13	22	2.59
BPC-4	1/2"	2.28	2.15	2.24	1.44	38	4.15
BPC-6	3/4"	2.54	2.30	2.39	1.62	60	7.33
BPC-8	1"	3.00	2.58	2.68	1.97	115	13.31
BPC-10	1-1/4"	3.60	3.24	3.33	2.38	160	23.06
BPC-12	1-1/2"	3.97	3.34	3.43	2.75	160	23.0
BPC-16	2"	4.91	3.91	4.00	3.32	220	57.0

### Bill of Materials

Description	Material
Body	Bronze
Spring	Stainless Steel
Poppet	15%-Glass Filled Teflon®
Cap	C360 Machined Brass
O-Ring	Viton®

